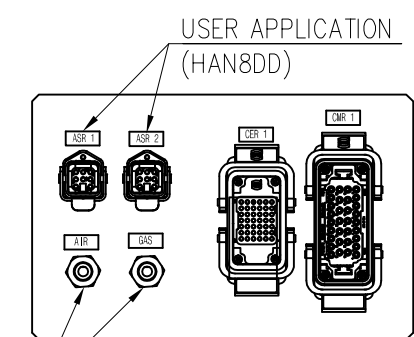
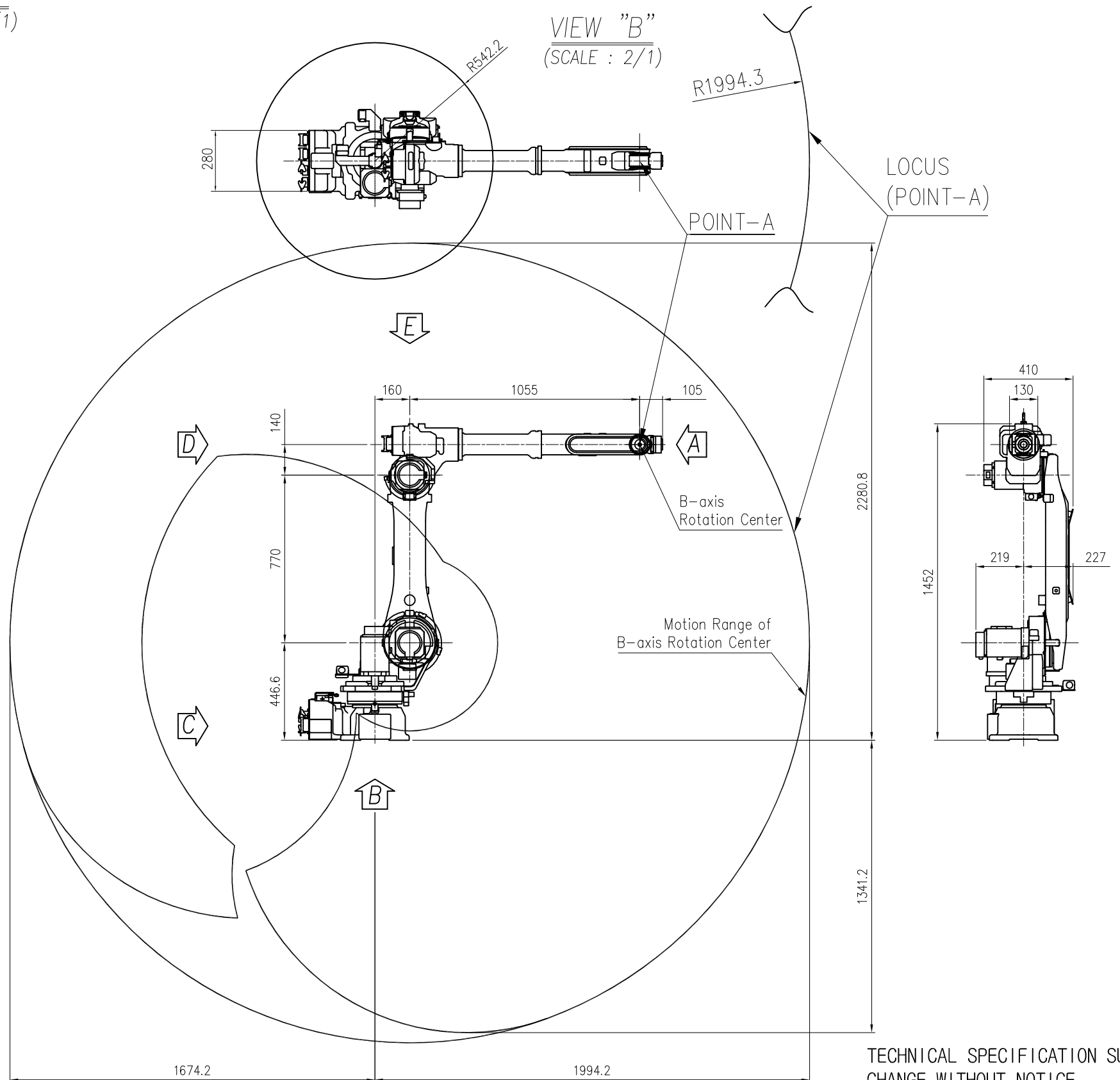


VIEW "A"
(SCALE : 4/1)

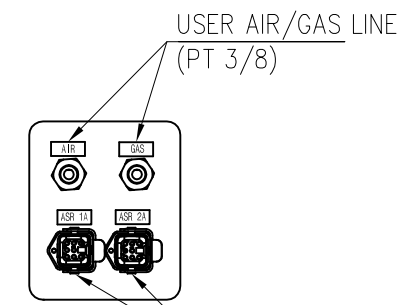
VIEW "B"
(SCALE : 2/1)

VIEW "E"
(SCALE : 4/1)



USER AIR LINE
(PT 3/8)

VIEW "C"
(SCALE : 4/1)



USER APPLICATION
(HAN8DD)

VIEW "D"
(SCALE : 4/1)

MODEL	HA006L	issue.0
DATE	2018.06.19	

TECHNICAL SPECIFICATION SUBJECT TO CHANGE WITHOUT NOTICE

