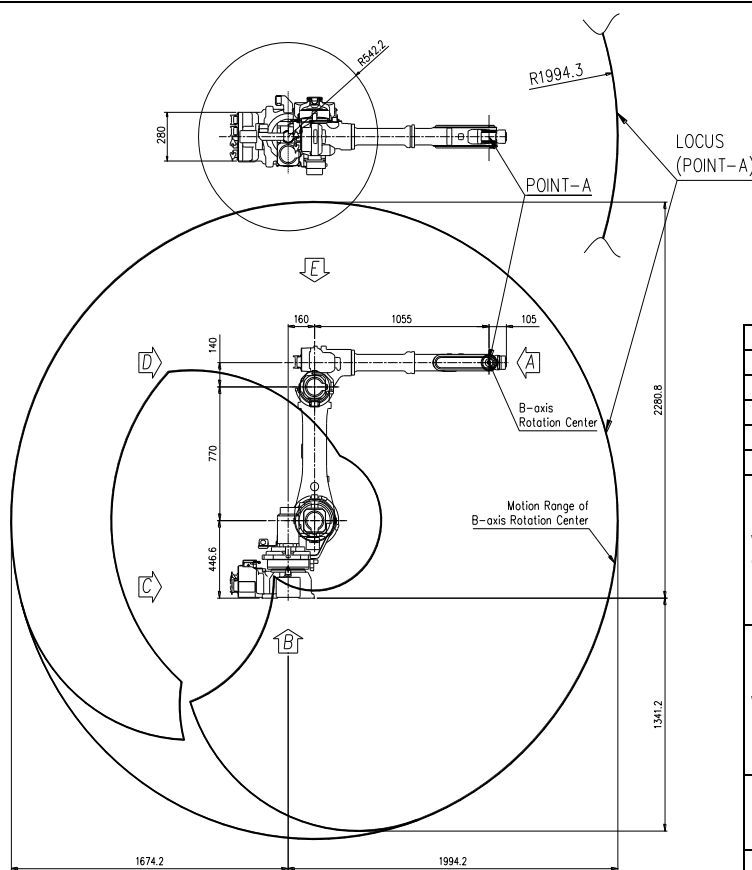


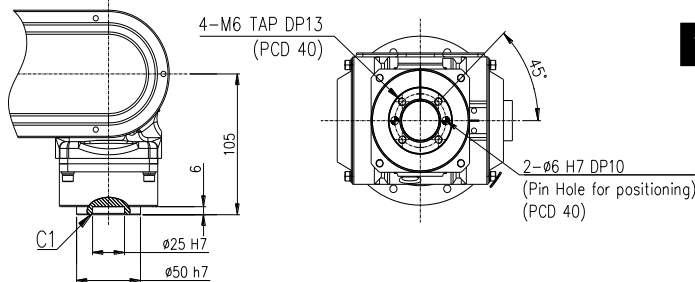
# HA006L

## Payload 6Kgf

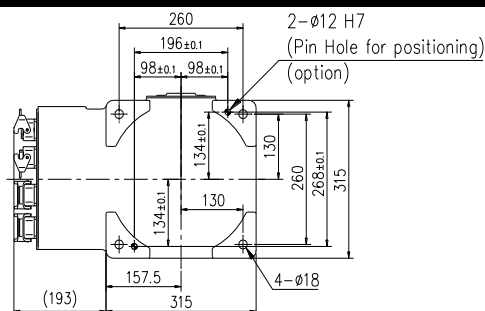
Installation method		Application	
Floor	●	Spot welding	
Ceiling	●	Arc welding	●
Wall surface	●	Handling	●
		Assembly	●
		Sealing	●
		Painting	



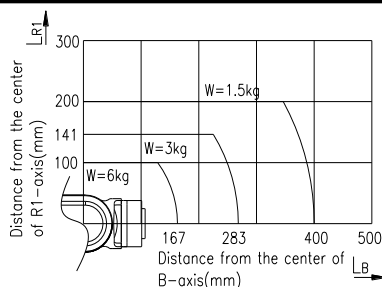
**View A: Detailed drawing of the wrist attachment part**



**View B: Dimensional drawing for the floor installation of the body**

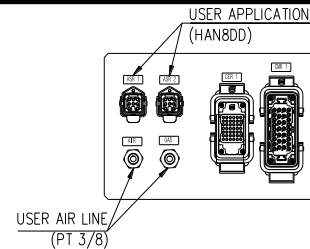


**Wrist-axis torque line diagram**

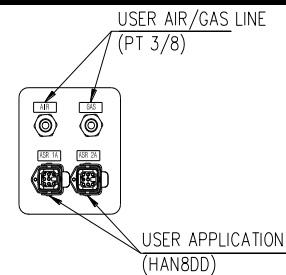


Item		Specification	
Robot model		HA006L	
Payload		6 Kg	
Structure		Articulated	
Degree of freedom		6 axes	
Drive system		AC SERVO MOTOR	
Max. working envelope	Arm	S Swivel	±3.229 rad (±185°)
		H Horizontal	+3.403 ~ -1.222rad (+195° ~ -70°)
		V Vertical	+3.141 ~ -1.396rad (+180° ~ -80°)
	Wrist	R2 Rotation 2	±3.403 rad (±195°)
		B Bending	±2.356 rad (±135°)
Max. working speed	Arm	S Swivel	3.316 rad / s (190° / s)
		H Horizontal	3.142 rad / s (180° / s)
		V Vertical	3.316 rad / s (190° / s)
	Wrist	R2 Rotation 2	6.63 rad / s (380° / s)
		B Bending	7.50 rad / s (430° / s)
Wrist torque	R2 Rotation 2	39.2 Nm (4.0 Kgfm)	
	B Bending	9.8 Nm (1.0 Kgfm)	
	R1 Rotation 1	5.9 Nm (0.6 Kgfm)	
Accuracy of position repeatability		±0.08 mm	
Ambient Temperature		0 ~ 45 °C (273 ~ 318 K)	
Robot's Weight		224 Kg	
Working envelope section area		7.88 m <sup>2</sup>	

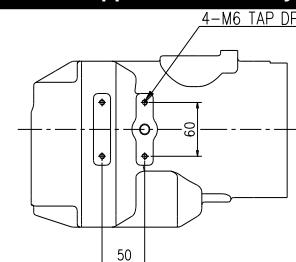
**View C: Application cable connection part (Option)**



**View D: Application cable connection part (Option)**



**View E: Details of the application ancillary part attachment**



\*\* For product improvement, some of the ratings, specifications, dimensions, etc. are subject to changes without notice.