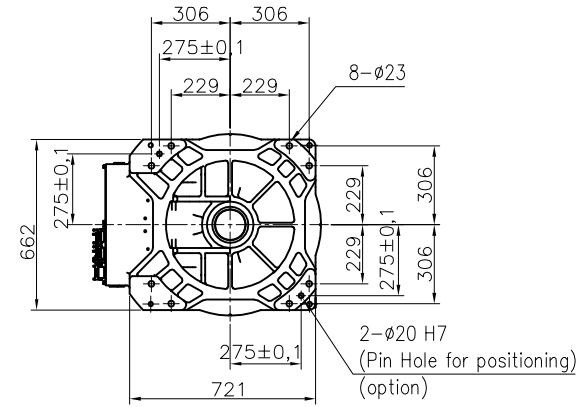
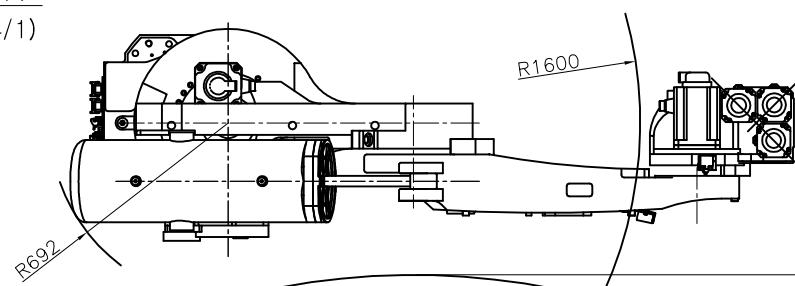
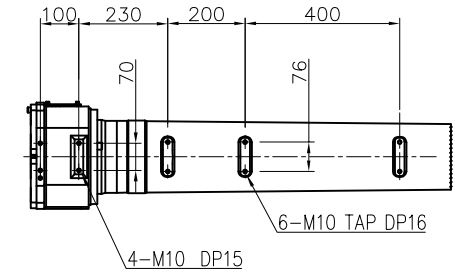


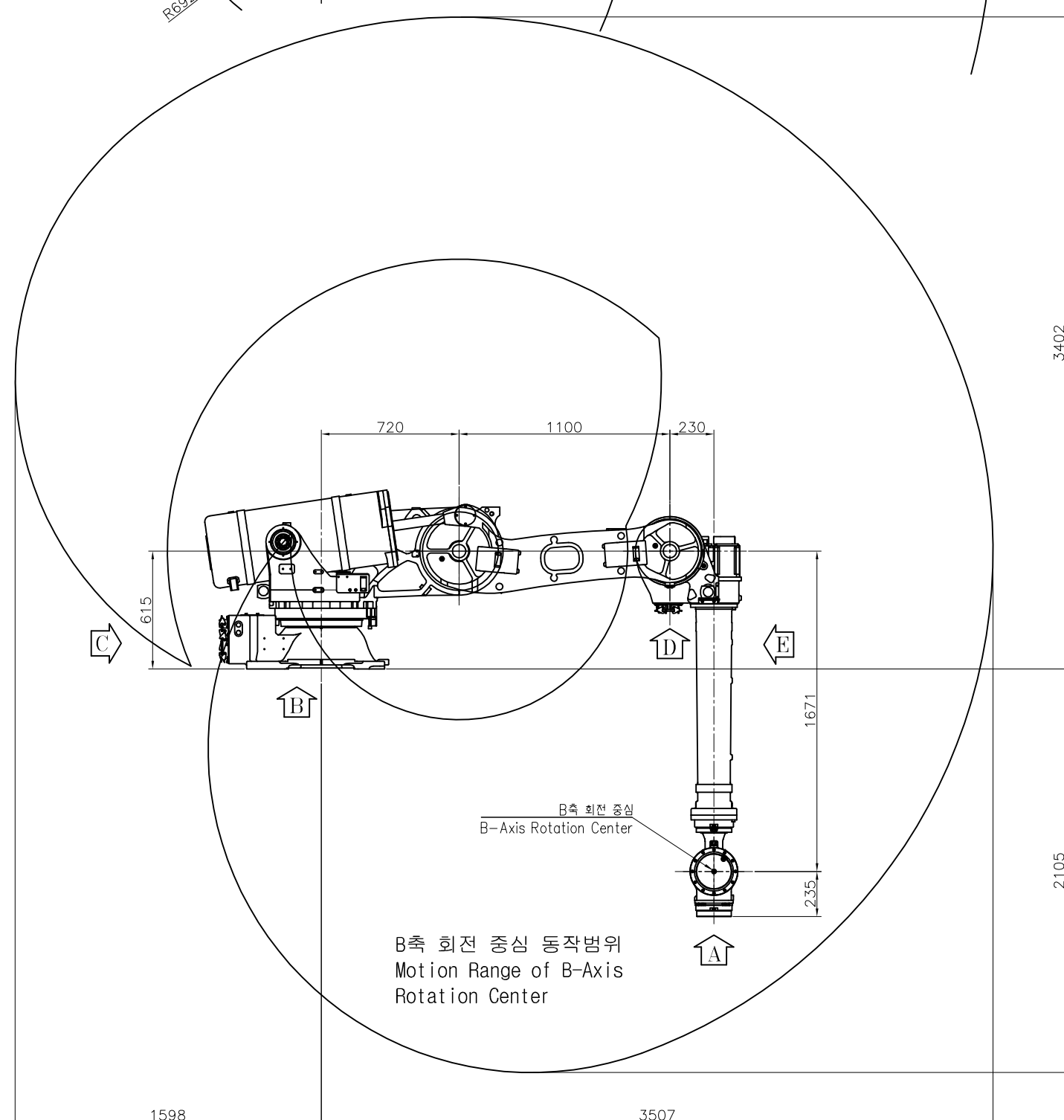
VIEW "A"
(SCALE : 4/1)



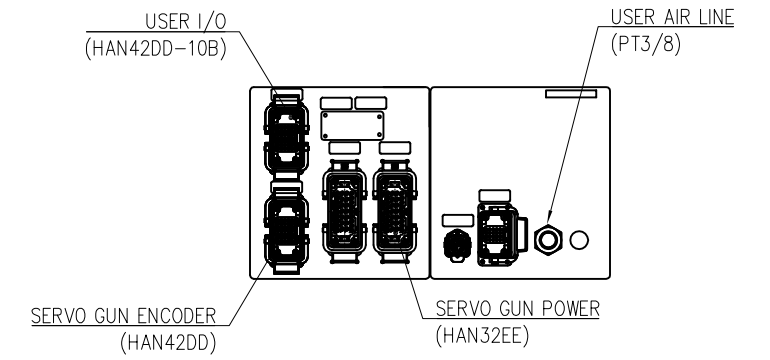
VIEW "B"
(SCALE : 1/1)



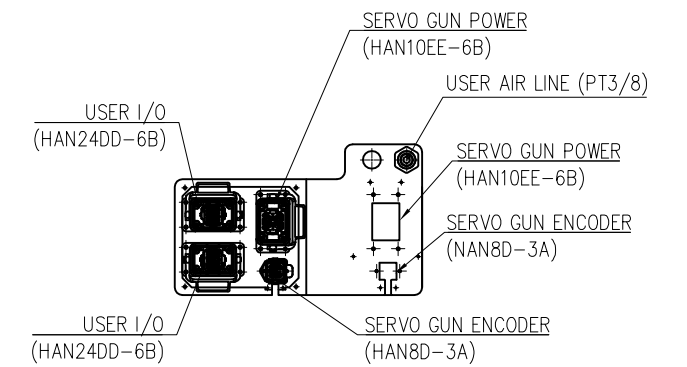
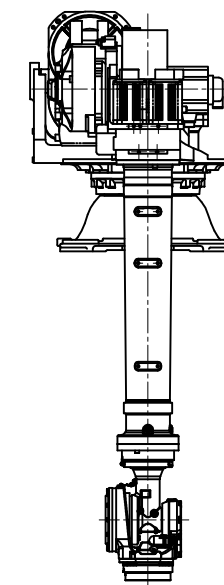
VIEW "E"
(SCALE : 1/1)



B축 회전 중심 동작범위
Motion Range of B-Axis
Rotation Center



VIEW "C" <For Hi5a Controller>
(SCALE : 1/1)



VIEW "D"
(SCALE : 1/1)

MODEL	HH100SL	issue.0
DATE	2018.06.19	

TECHNICAL SPECIFICATION SUBJECT TO
CHANGE WITHOUT NOTICE

