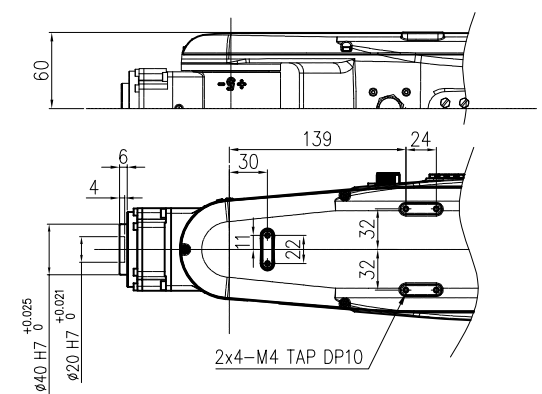
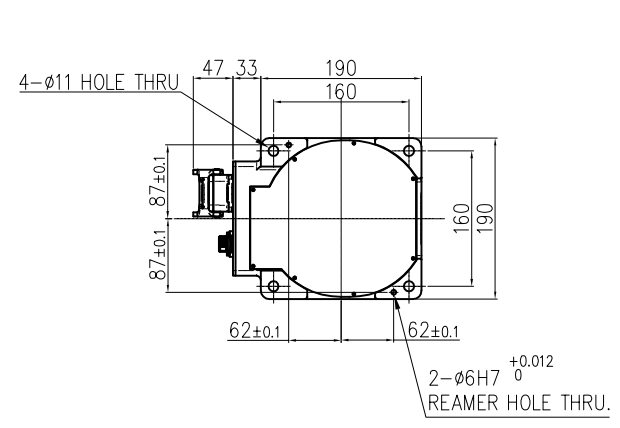


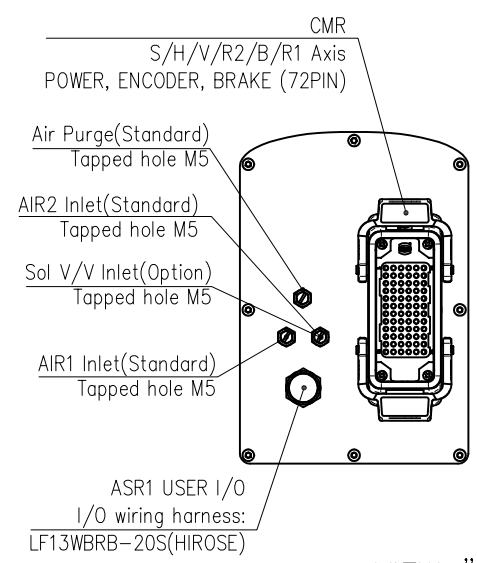
VIEW "A"



VIEW "F"

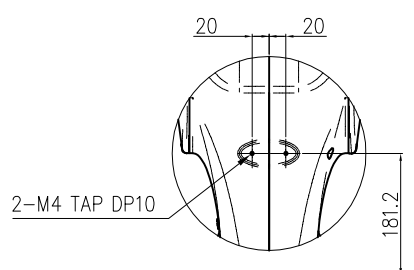


VIEW "B"

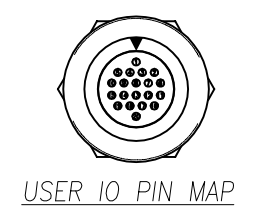
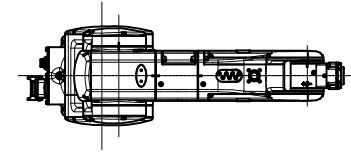
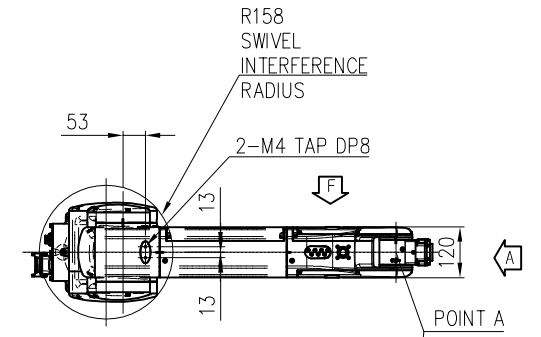


VIEW "C"

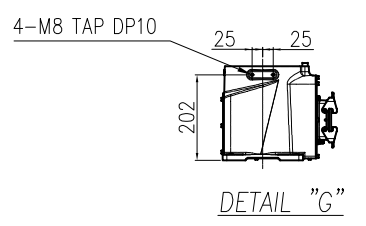
ASR1 / ASR1A User I/O Wiring Harness				
Pin No.	Description	Pin No.	Description	Option
1	1 (User I/O)	11	11 (User I/O)	-
2	2 (User I/O)	12	12 (User I/O)	1A(sol v/v)
3	3 (User I/O)	13	13 (User I/O)	1B(sol v/v)
4	4 (User I/O)	14	14 (User I/O)	2A(sol v/v)
5	5 (User I/O)	15	15 (User I/O)	2B(sol v/v)
6	6 (User I/O)	16	16 (User I/O)	3A(sol v/v)
7	7 (User I/O)	17	17 (User I/O)	3B(sol v/v)
8	8 (User I/O)	18	18 (User I/O)	G(sol v/v)
9	9 (User I/O)	19	-	-
10	10 (User I/O)	20	-	-



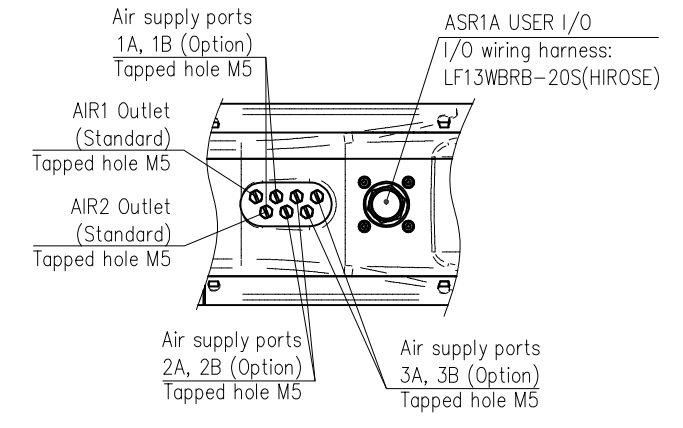
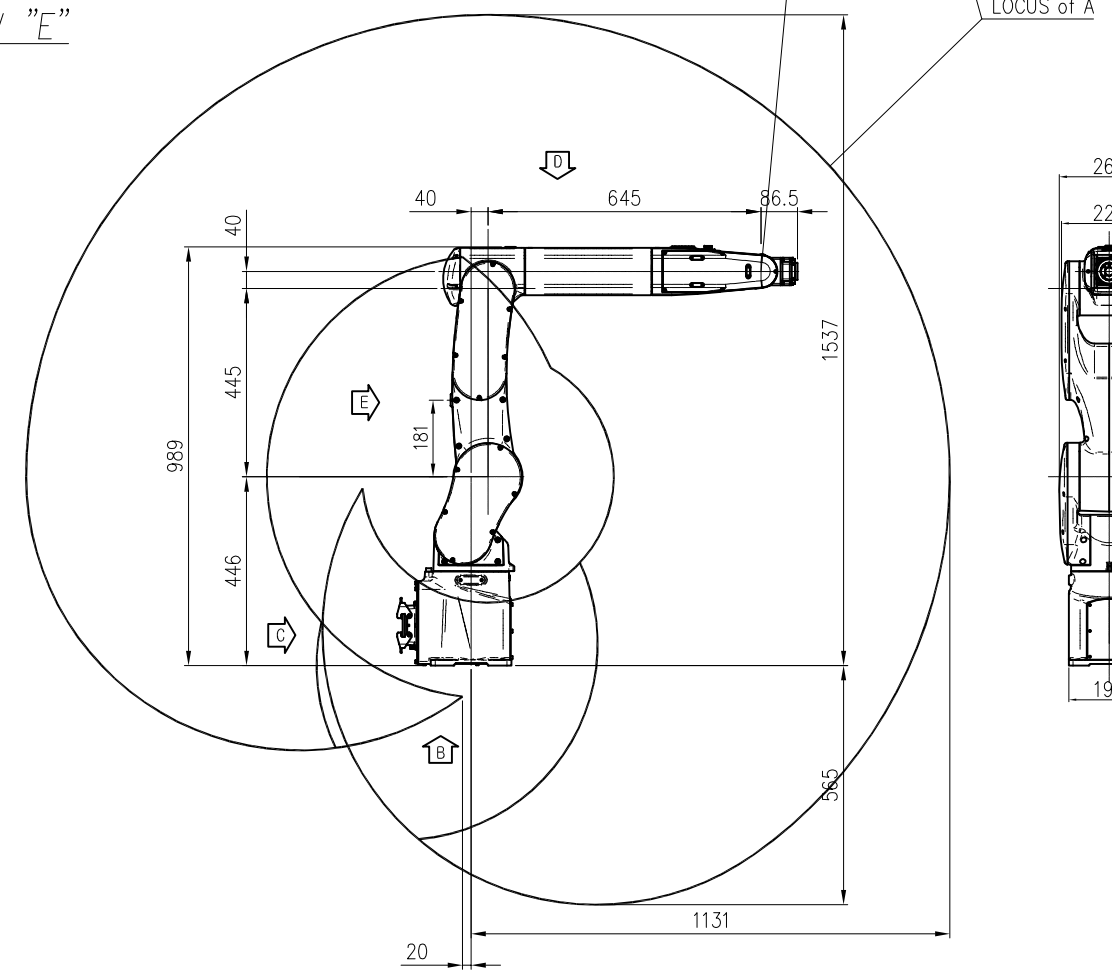
VIEW "E"



USER I/O PIN MAP



DETAIL "G"



VIEW "D"

MODEL	issue.3
DATE	2020.11.16

TECHNICAL SPECIFICATION SUBJECT TO CHANGE WITHOUT NOTICE

