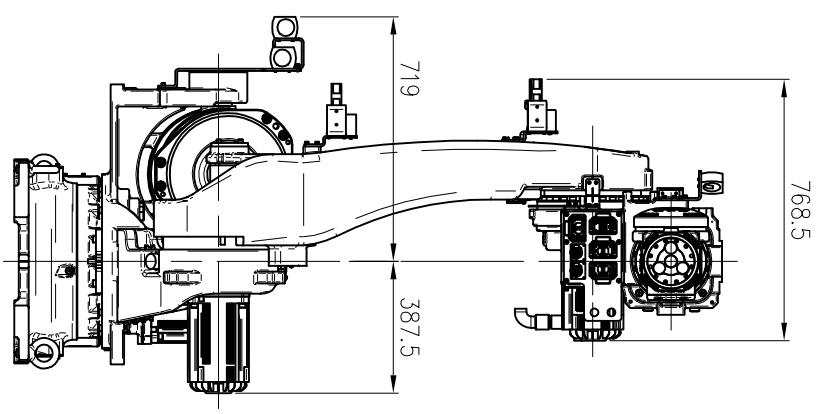
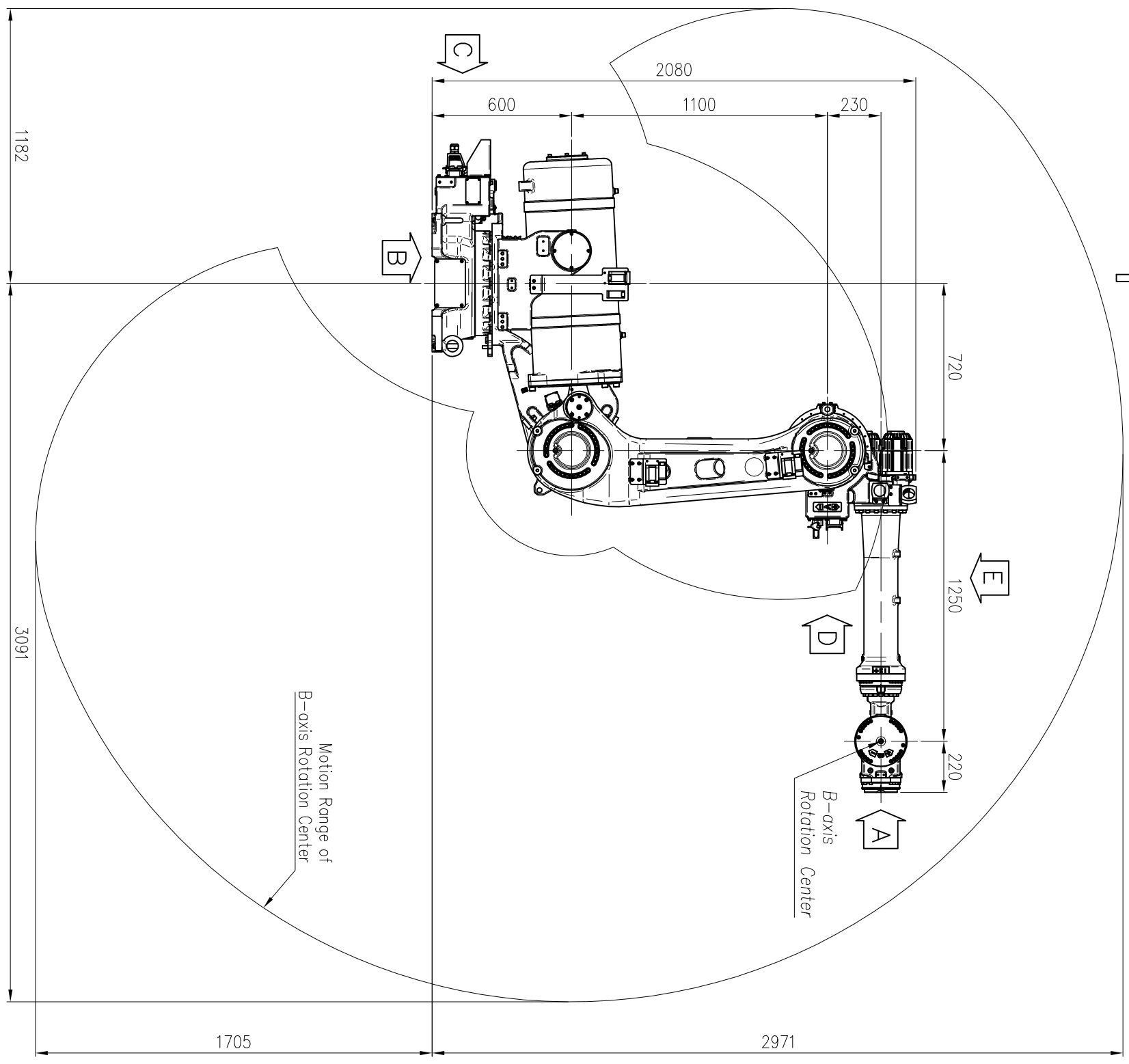
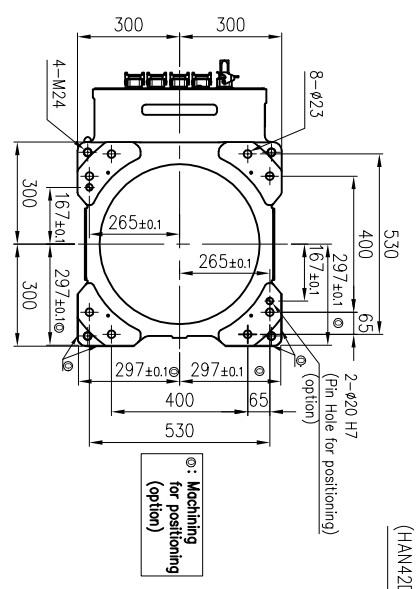
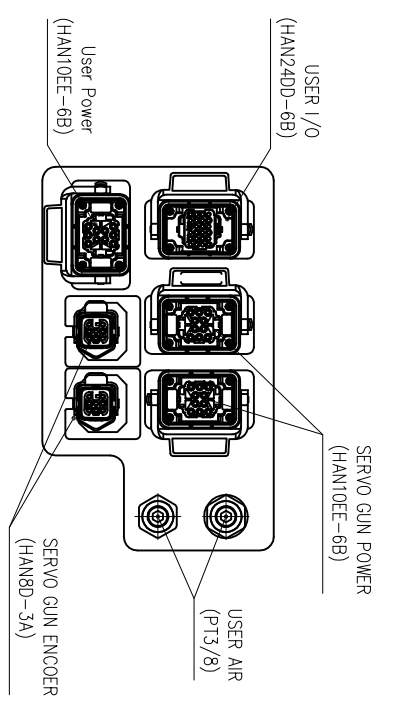


VIEW "A"
(SCALE : 2/1)

VIEW "E"
(SCALE : 2/1)

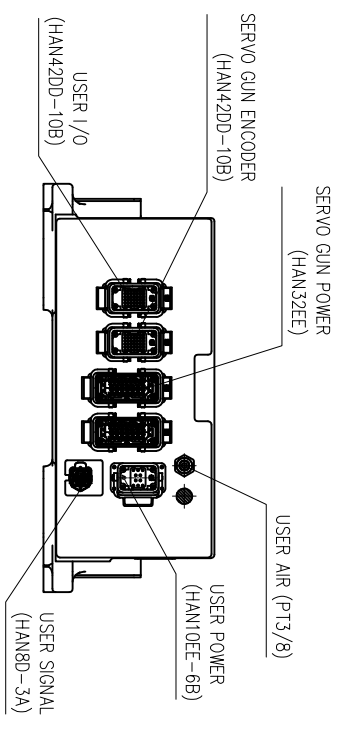


VIEW "D"
(SCALE : 2/1)



VIEW "B"
(SCALE : 1/1)

VIEW "C"
(SCALE : 2/1)



TECHNICAL SPECIFICATION SUBJECT TO
CHANGE WITHOUT NOTICE

MODEL	HS220S	issue.1
DATE	2018.10.29	

