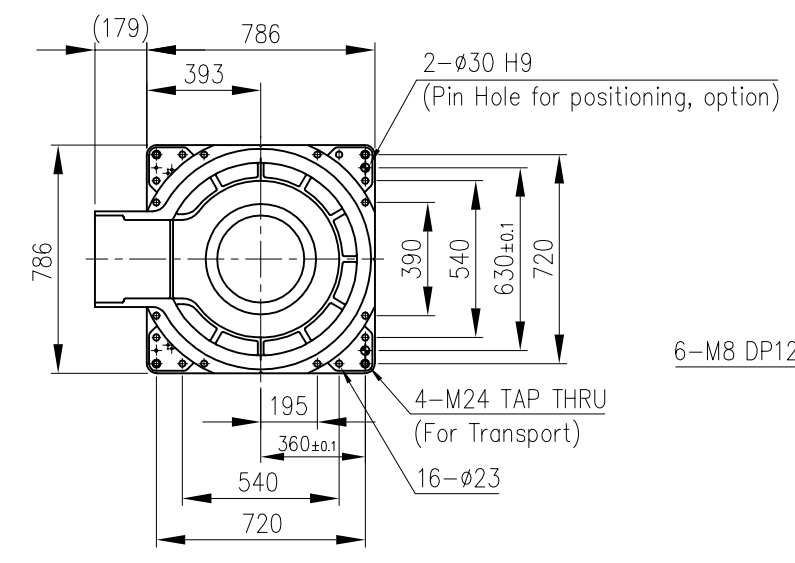
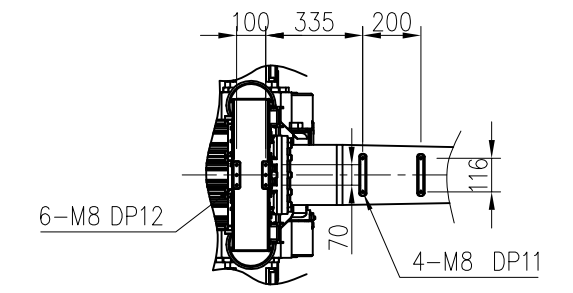


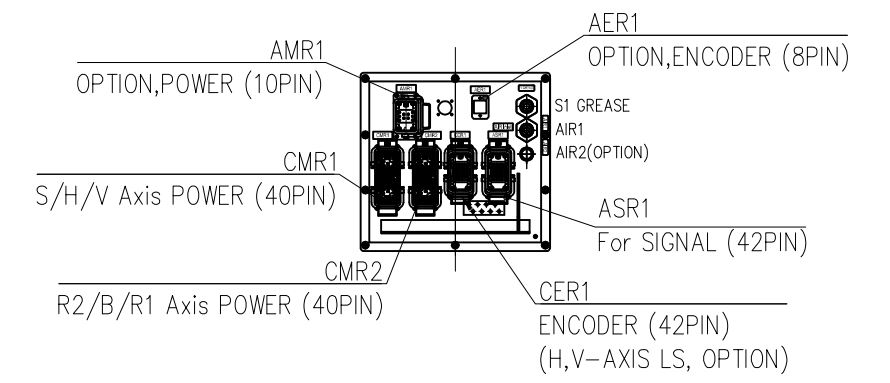
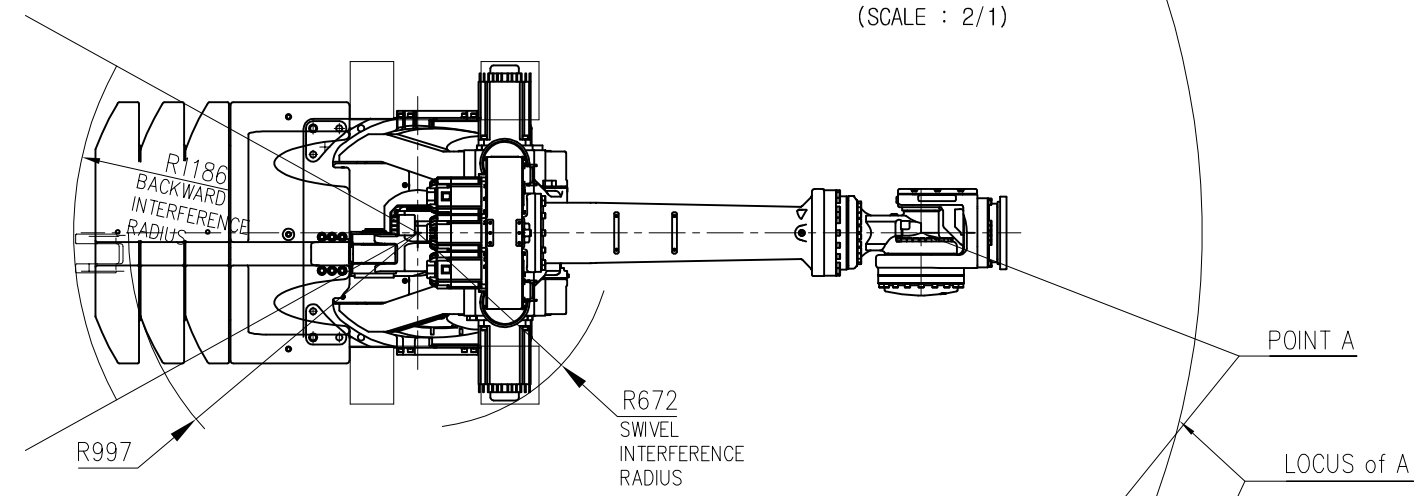
VIEW "A"  
 (SCALE : 2/1)



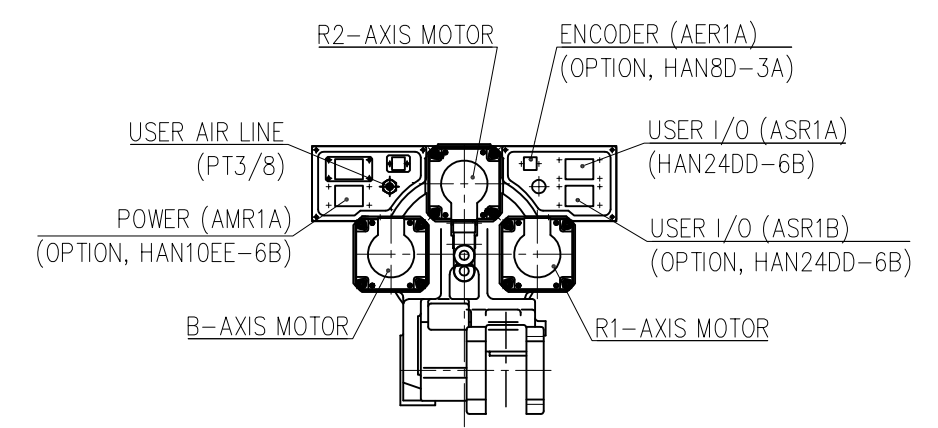
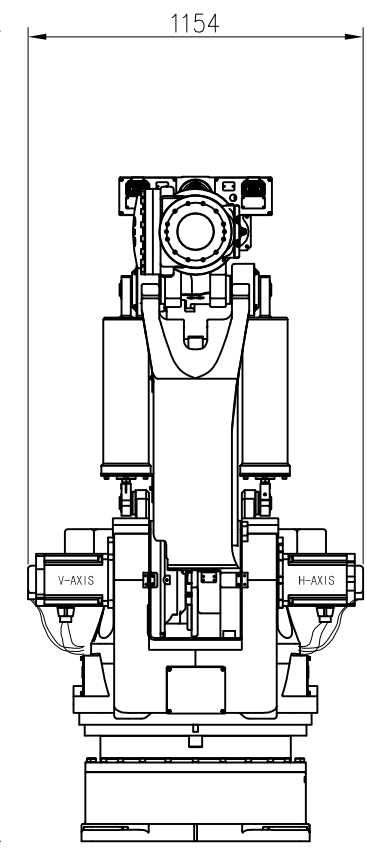
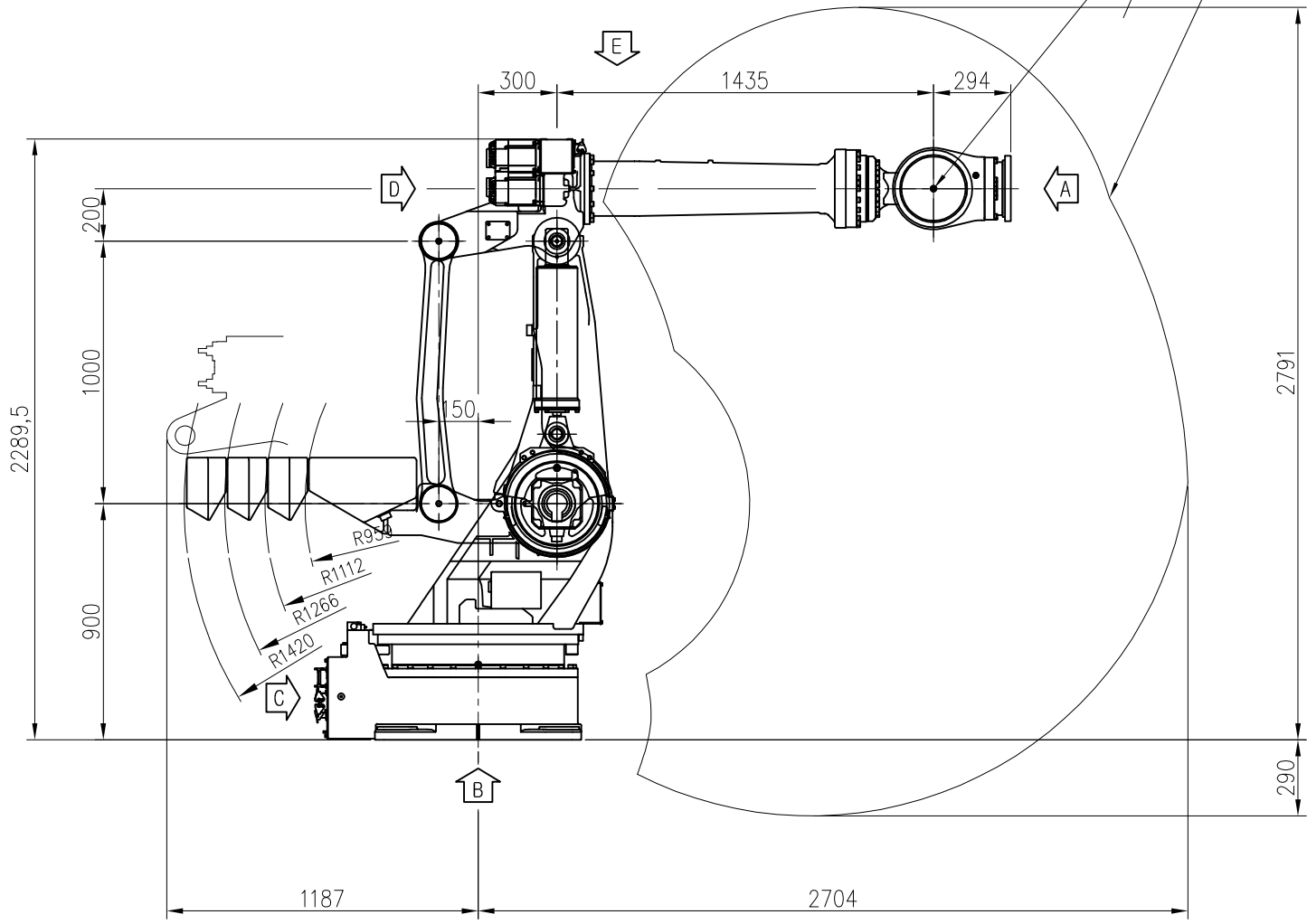
VIEW "B"



VIEW "E"



VIEW "C" <For Hi5a Controller>  
 (SCALE : 2/1)



VIEW "D"  
 (SCALE : 2/1)

MODEL	HX500	issue.0
DATE	2018.06.19	

TECHNICAL SPECIFICATION SUBJECT TO  
 CHANGE WITHOUT NOTICE

