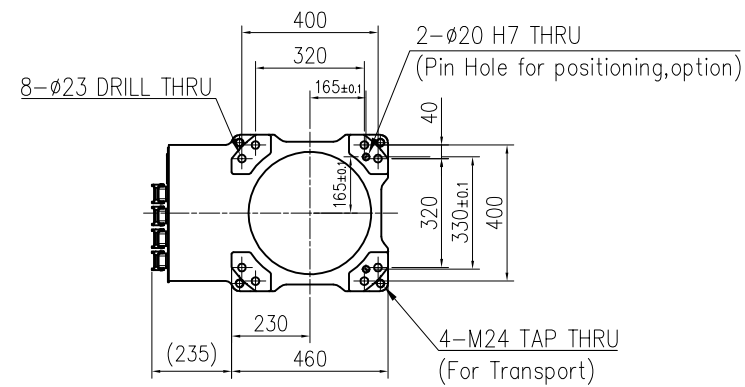
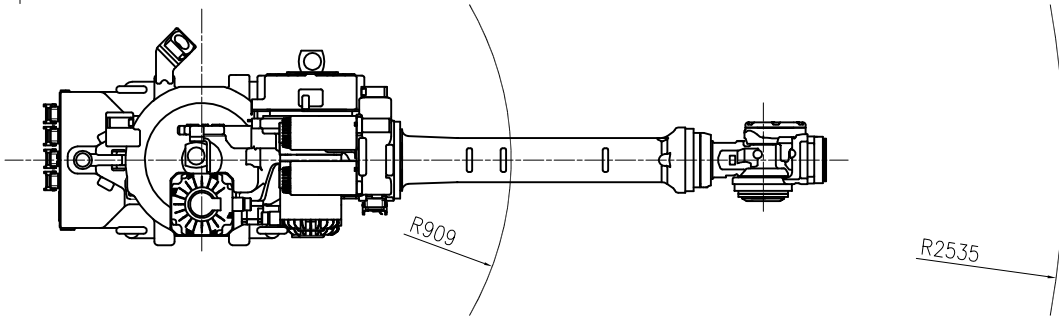
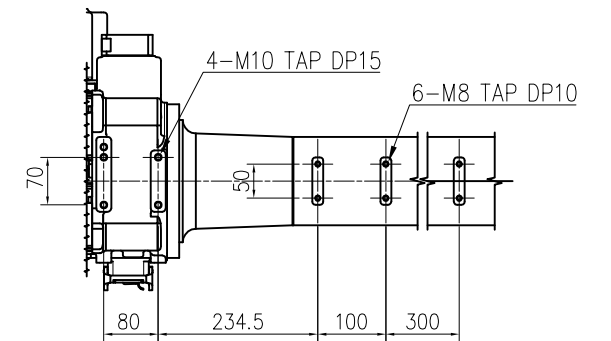


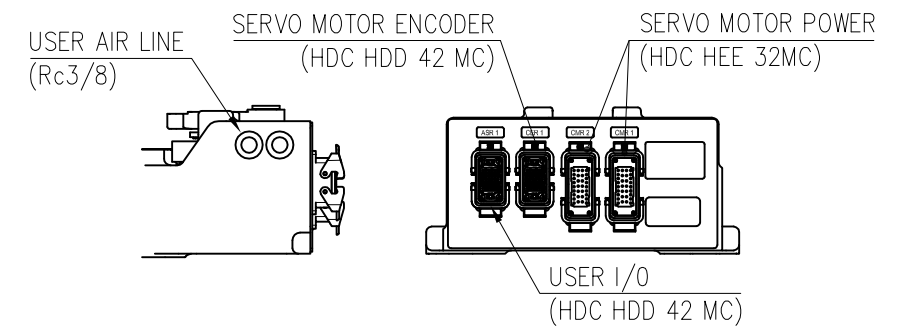
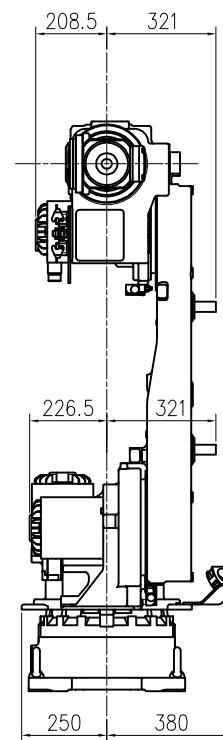
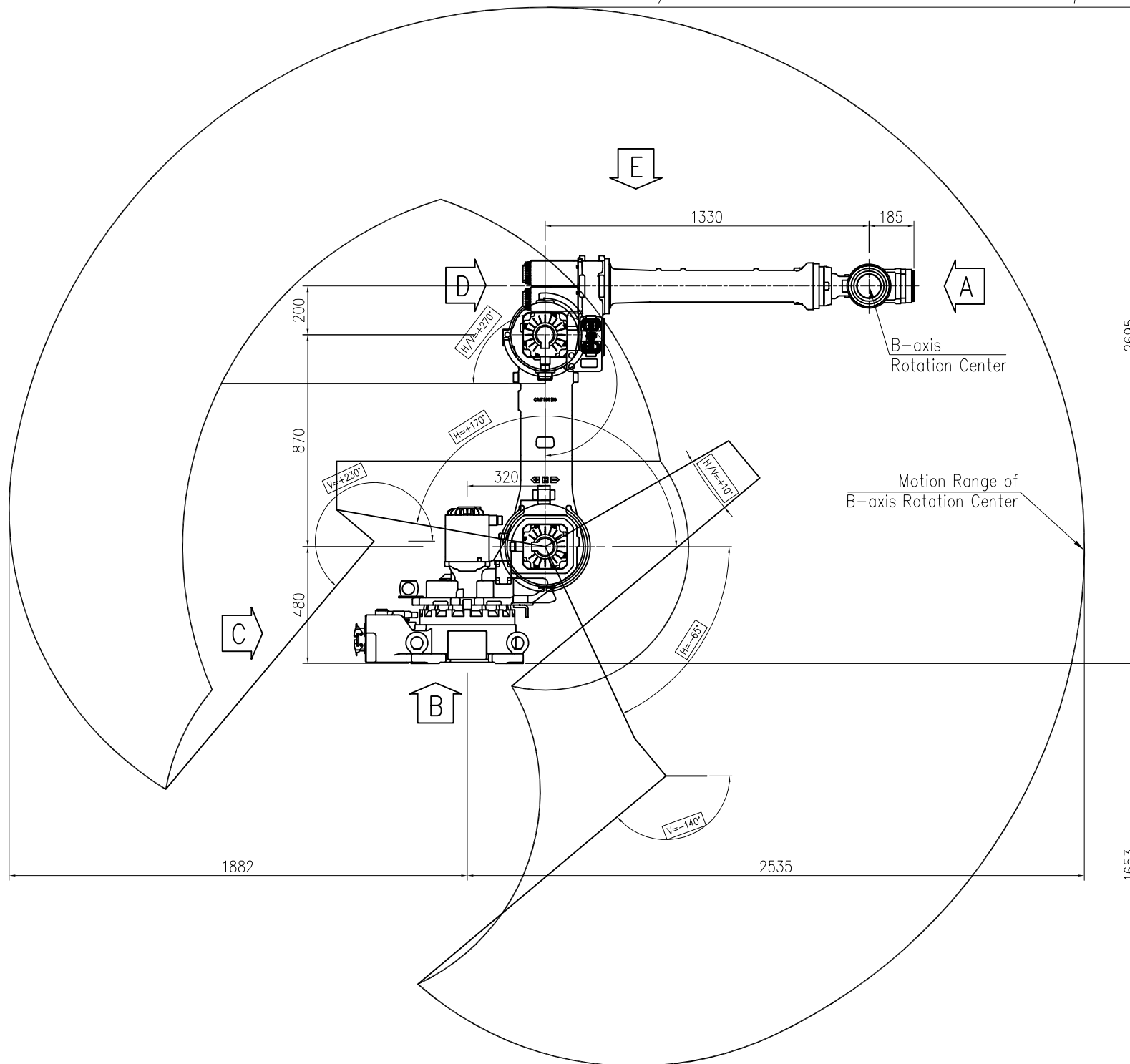
VIEW "A"  
(SCALE : 4/1)



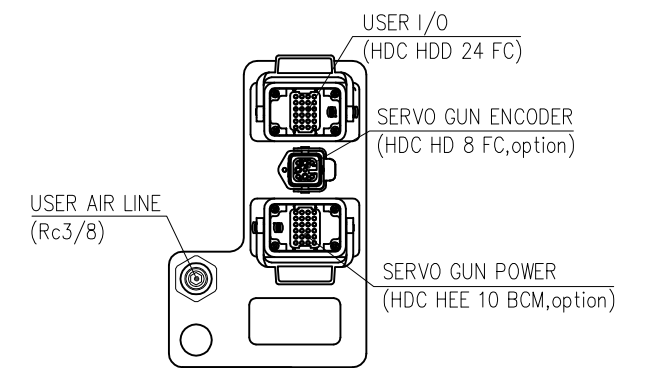
VIEW "B"  
(SCALE : 1/1)



VIEW "E"  
(SCALE : 2/1)



VIEW "C"  
(SCALE 2/1)



VIEW "D"  
(SCALE : 4/1)

MODEL	HH030L	issue.0
DATE	2018.06.19	

TECHNICAL SPECIFICATION SUBJECT TO CHANGE WITHOUT NOTICE

