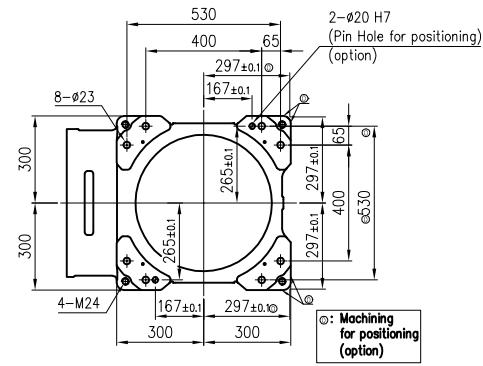
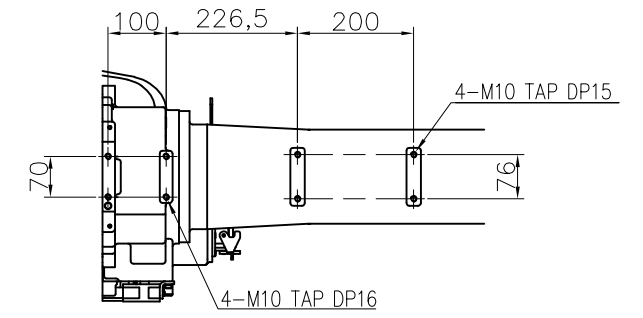


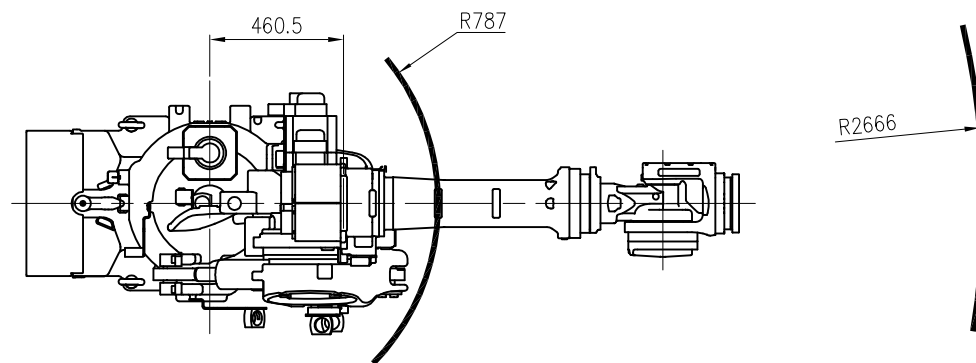
VIEW "A"
(SCALE : 2/1)



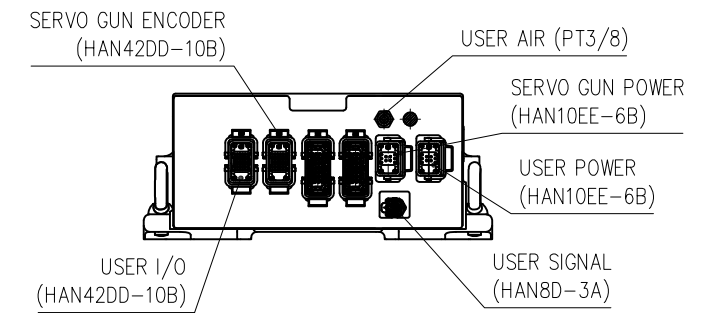
VIEW "B"
(SCALE : 1/1)



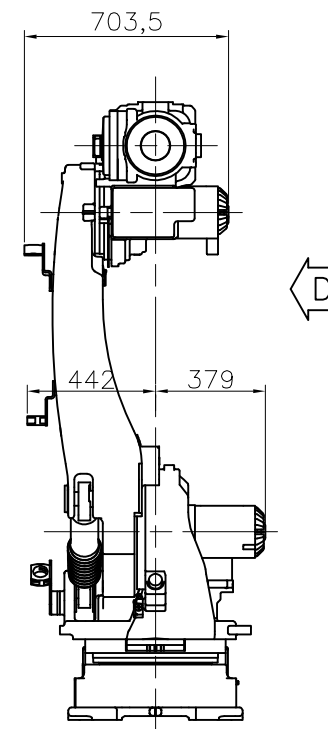
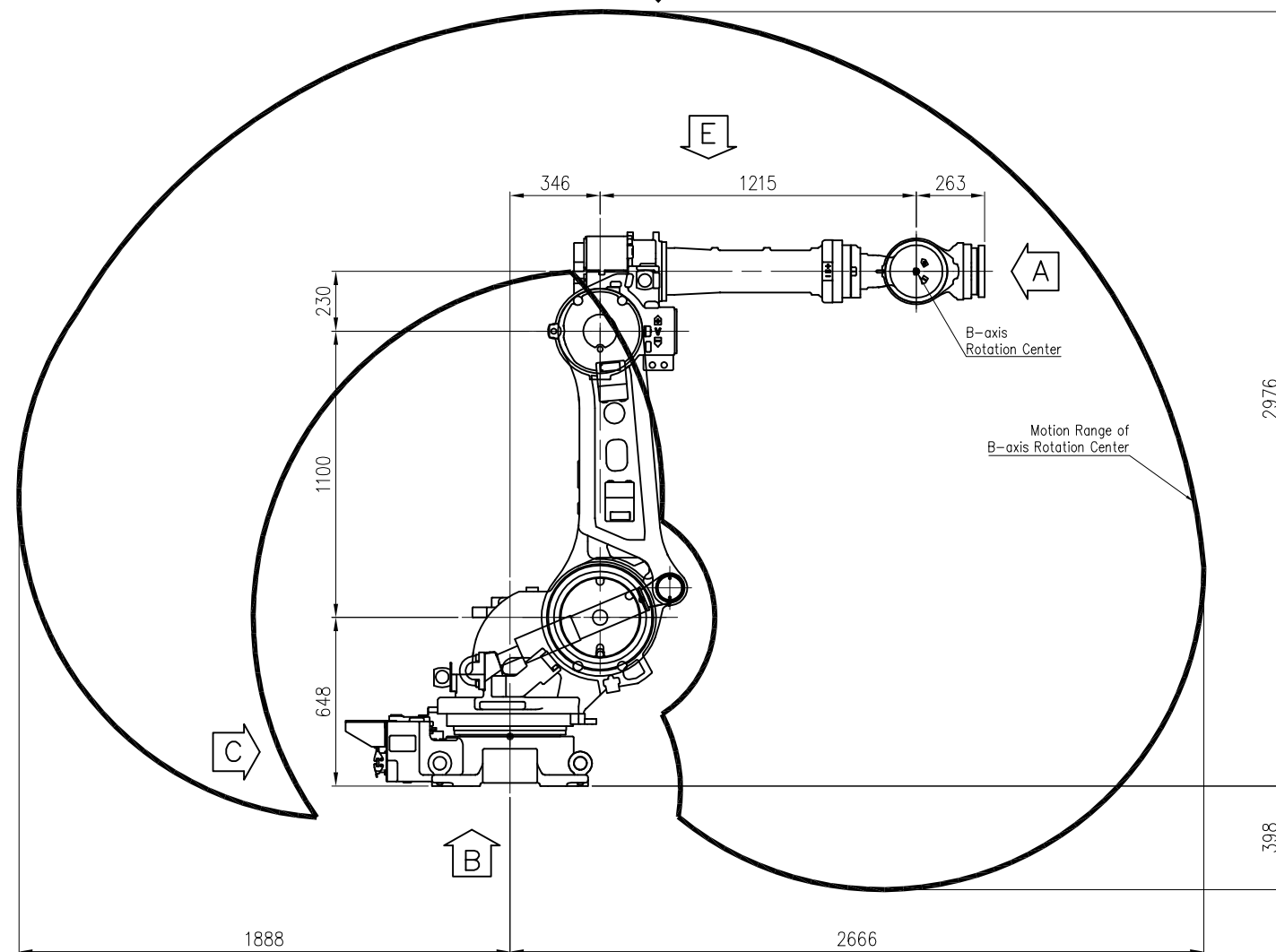
VIEW "E"
(SCALE : 2/1)



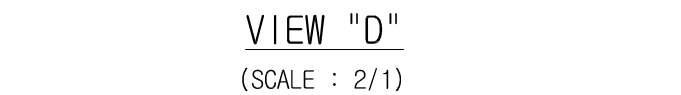
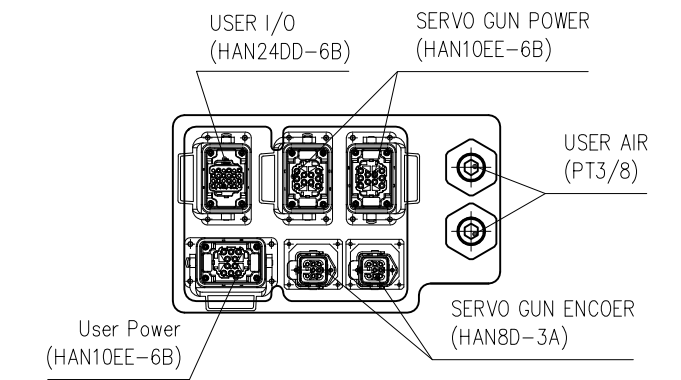
VIEW "C"
(SCALE : 2/1)



VIEW "D"
(SCALE : 2/1)



VIEW "E"



MODEL	HH300	issue.0
DATE	2018.06.19	

TECHNICAL SPECIFICATION SUBJECT TO CHANGE WITHOUT NOTICE

